

Connectors and Cable Assemblies

AI-Tek stocks a selection of connectors and cable assemblies for your convenience. For ease of selection, the connectors and assemblies are divided into groups. Group "A" is designed for 2-wire items, Group "B" for 3-wire.

Complete cable assemblies include the connector and 10' of recommended wiring for use with AI-TEK equipment. All wiring is insulated, spirally wrapped in a tinned copper shield and jacketed in long-lasting PVC. Alternate cable length is available for special requests.



Group		AI-TEK P/N	Mil. Connect. N	Max. Temp.	Cable Wiring
A	S	CN79860 -3100	MS3106A10SL-4S	125°C	Connector Only
	R	-3800	MS3108B10SL-4S	125°C	Connector Only
	S	-3000	MS3106A10SL-4S	182°C	Connector Only
	S	CA79860 -01-00	MS3106A10SL-4S	80°C	2 #22 Black & Red
	R	-17-00	MS3108B10SL-4S	80°C	2 #22 Black & Red
	S	-06-00	MS3106A10SL-4S	182°C	2 #20 Black & White
B	S	CN79860 -2600	MS3106A10SL-3S	125°C	Connector Only
	R	-3900	MS3108B10SL-3S	125°C	Connector Only
	S	CA79860 -18-00	MS3106A10SL-3S	125°C	3 #20 Red, White & Black
	R	-24-00	MS3108B10SL-3S	125°C	3 #20 Red, White & Black

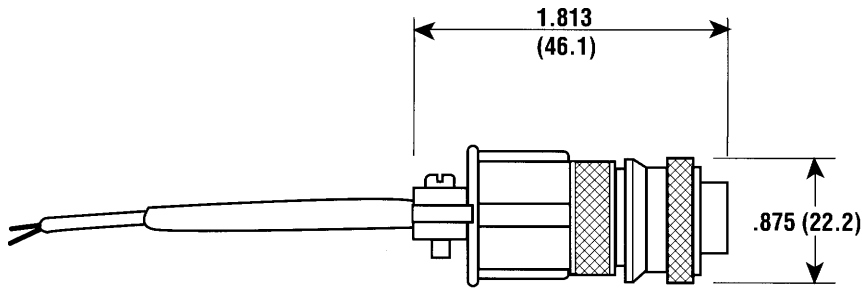
Net Weight: 5 oz. max.

Standard cable assemblies include 10ft. of shielded cable. For other cable length contact your local distributor.

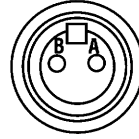
S = Straight Connector
R = Right Angle Connector

It is the customer's responsibility to determine whether the product is proper for customer's use and application.

Groups A & B (Straight)

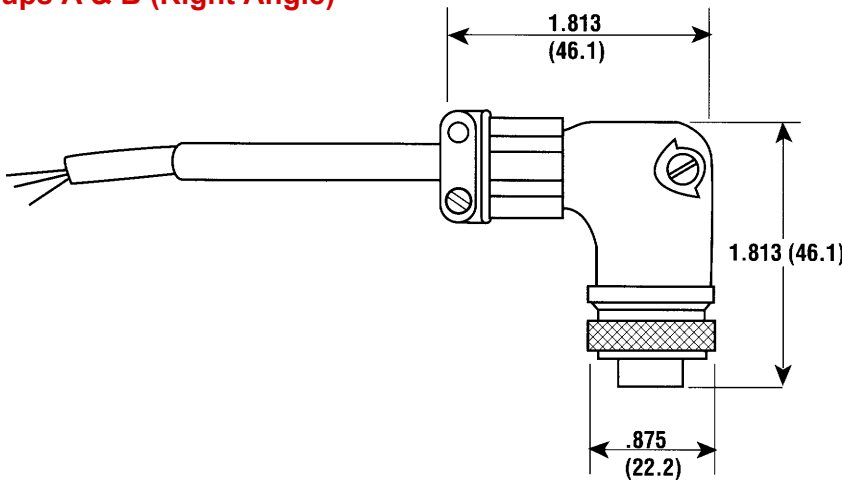


Group A Pins

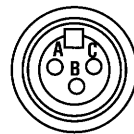


Group A
PIN A = Black
PIN B = Red

Groups A & B (Right Angle)



Group B Pins



Group B
PIN A = Red
PIN B = White
PIN C = Black