

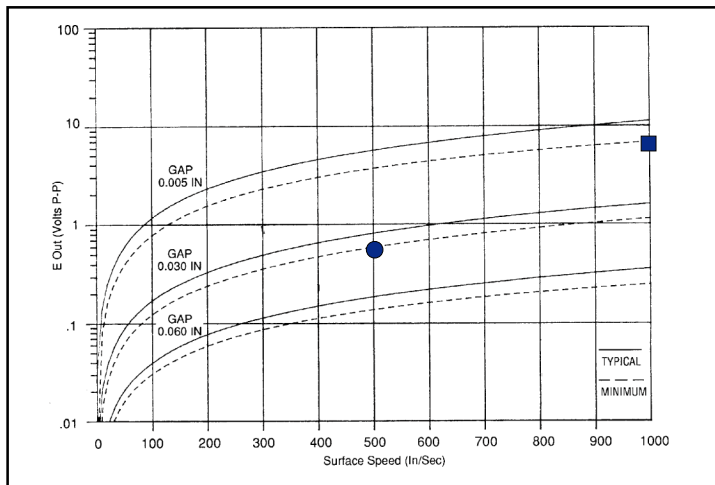
# Passive Speed Sensors

10 - 32 FAMILY

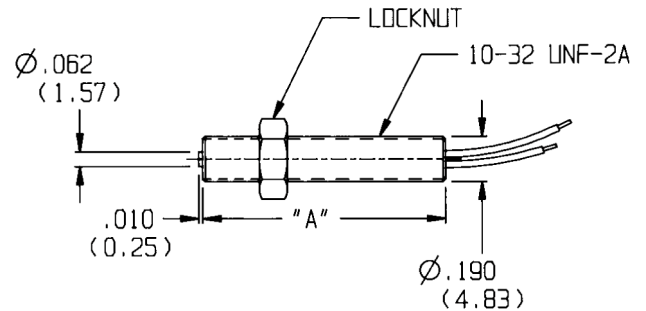
## High Sensitivity

| Ordering Part # | Thread Length (A) |
|-----------------|-------------------|
| 70085-1010-037  | .500 (12.70)      |
| 70085-1010-299  | 1.250 (31.75)     |

### Performance Curves



Based on 20 D.P. Gear



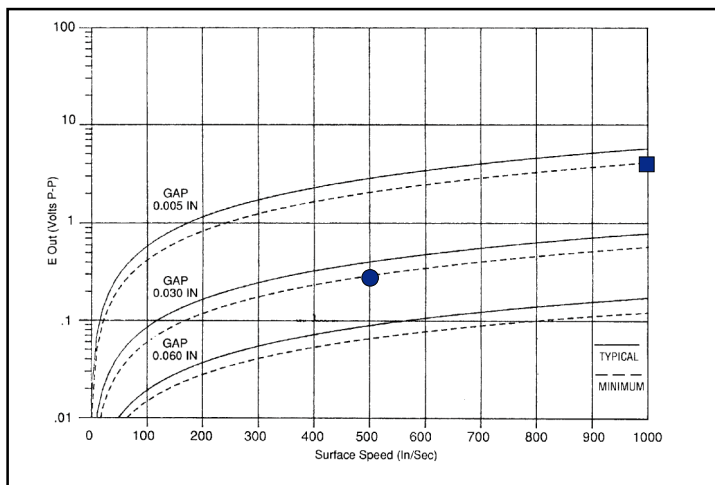
### Specifications:

- Output Voltage (Standard): 13 V (P-P)
- Output Voltage (Guarantee Point): .6 V (P-P)
- DC Resistance: 190 ohms max.
- Typical Inductance: 10 mH, ref.
- Output Polarity: White lead positive
- Operating Temperature: -55 to +107°C
- Lead Length: 18 in (45.7 cm)
- Net Weight: 1 oz. max.

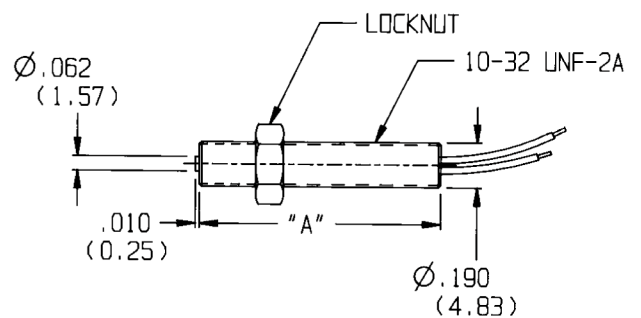
## General Purpose – High Temperature

| Ordering Part # | Thread Length (A) |
|-----------------|-------------------|
| 70085-1010-182  | .500 (12.70)      |
| 70085-1010-289  | 1.250 (31.75)     |

### Performance Curves



Based on 20 D.P. Gear



### Specifications:

- Output Voltage (Standard): 6 V (P-P)
- Output Voltage (Guarantee Point): .3 V (P-P)
- DC Resistance: 45 ohms max.
- Typical Inductance: 2 mH, ref.
- Output Polarity: White lead positive
- Operating Temperature: -73 to +150°C
- Lead Length: 18 in (45.7 cm)
- Net Weight: 1 oz. max.

AI-Tek Instruments, Cheshire, CT USA